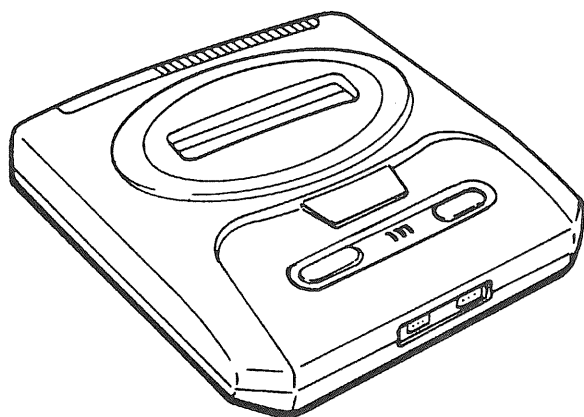


SEGA™ SERVICE MANUAL

GENESIS II VA3



NO.	001 - 3
ISSUED	AUGUST, 1994

CONTENTS

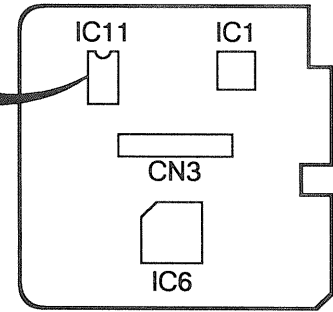
1. DIFFERENCE TABLE	2
2. BLOCK DIAGRAM	3
3. SCHEMATIC DIAGRAMS	5
4. CIRCUIT BOARD DIAGRAMS	9
5. PARTS SPECIFICATIONS	13
6. EXPLODED VIEW & PARTS LIST	14
6-1. EXPLODED VIEW	14
6-2. MECHANICAL PARTS LIST	15
6-3. ELECTRICAL PARTS LIST	15
6-4. ACCESSORIES/PACKAGE LIST	18

Sega Enterprises, Ltd.

Before Using This Service Manual

- Parts of the circuits are different in the GENESIS II depending on the model of IC11 (RGB encoder used). Check the model of IC11 on the main circuit board and identify the type, F, S or SM.

Type	Model of IC11	Part No.
F	IC MB3514PF-G-BND-EF	313-5232-A
S	IC CXA1145M-T6 SOP	313-5213-A
SM	IC KA2195D	313-5236-A



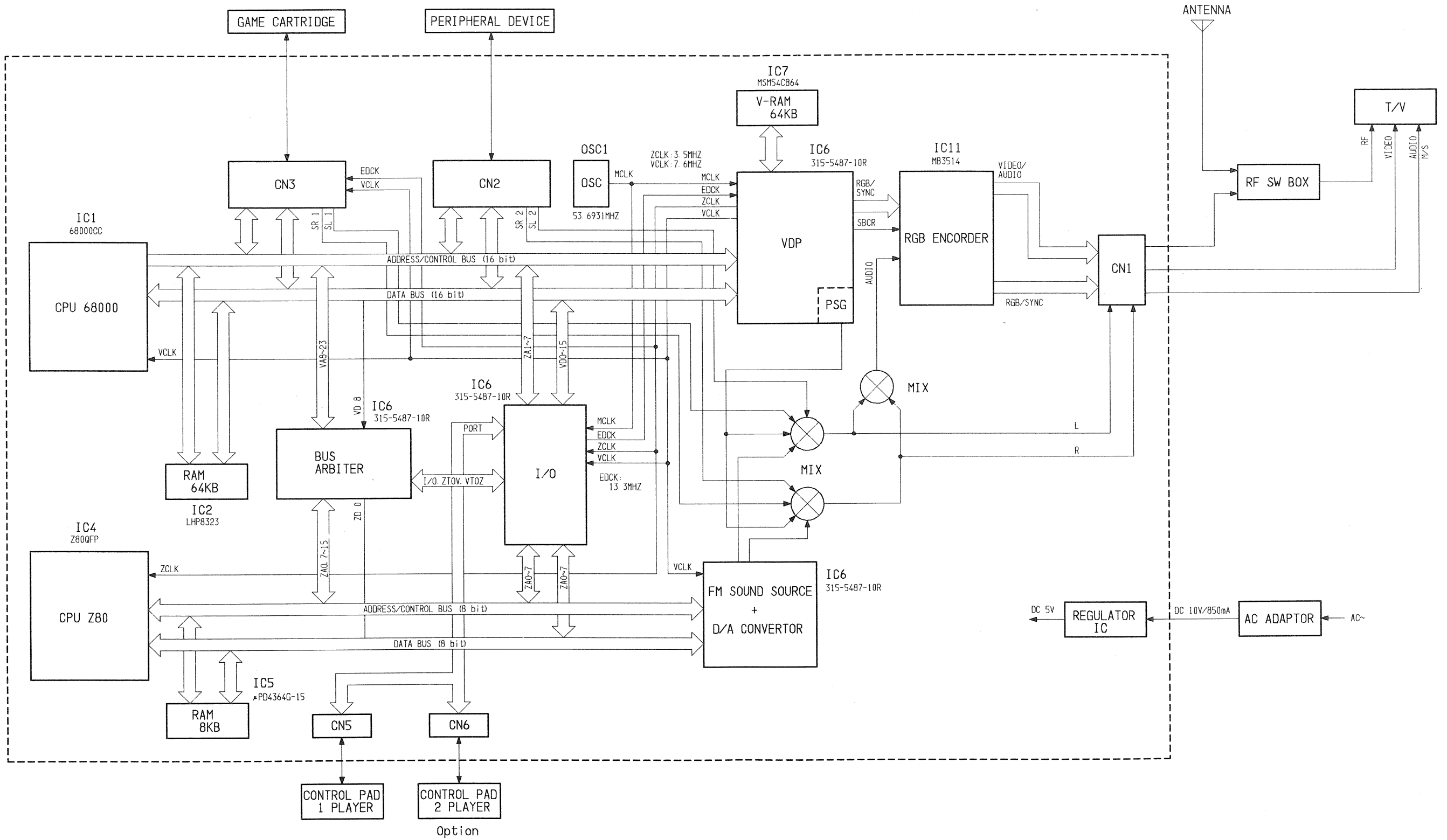
MAIN C.B (Top View)

- Differences in the circuits are shown in the difference table in the schematic diagrams.
- In the parts list, differences are shown in the REMARKS columns.
- This unit is a revision of GENESIS II , and IC9 and IC10 have been integrated into one chip.
- Accompanying this integration, the circuits have also been changed and the board has been made slightly smaller.
- Refer to the following for differences regarding parts that have been changed.
- For the details of changes, refer to this service manual and service manual No. 001 or manual No. 001-2 that is a revision of manual No. 001 to compare the differences.

1. DIFFERENCE TABLE

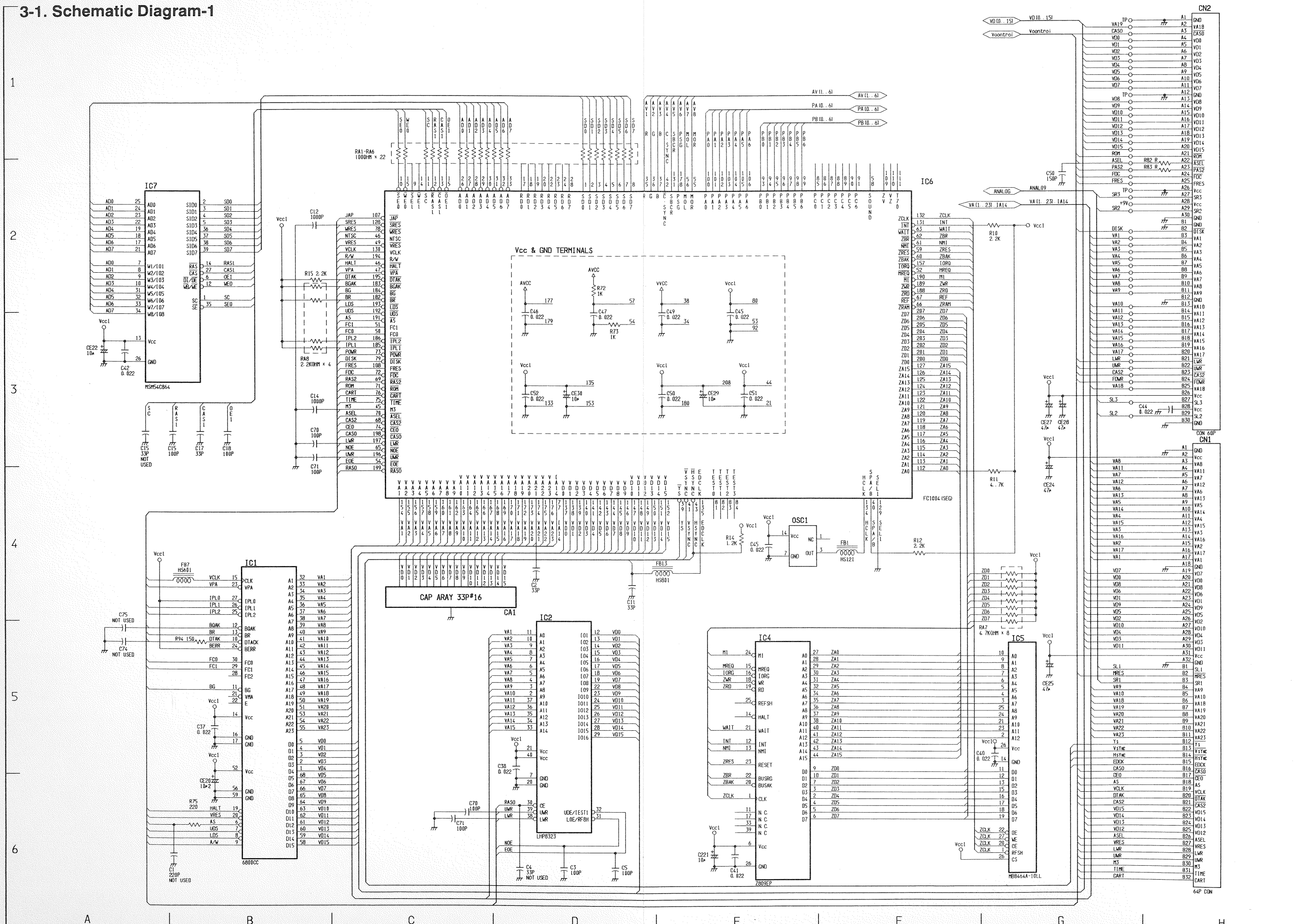
Circuit No.	GENESIS VA1		GENESIS VA3	
	Part No.	Description	Part No.	Description
	837-9793-S 837-9793-SM 837-9793-F	IC BD MD2 VA1S USA IC BD MD2 VA1SM USA IC BD MD2 VA1F USA	837-10150-S 837-10150-SM 837-10150-F	IC BD MD2 VA3S USA IC BD MD2 VA3SM USA IC BD MD2 VA3F USA
IC9	313-5063-A 313-5221-A	IC LM 324 SOP IC BA10324AF-T1 SOP	315-5684	IC CUSTOM CP BA 6166FS SOP
IC10	313-5063-A 313-5221-A	IC LM 324 SOP IC BA10324AF-T1 SOP	NOTHING	NOTHING

2. BLOCK DIAGRAM

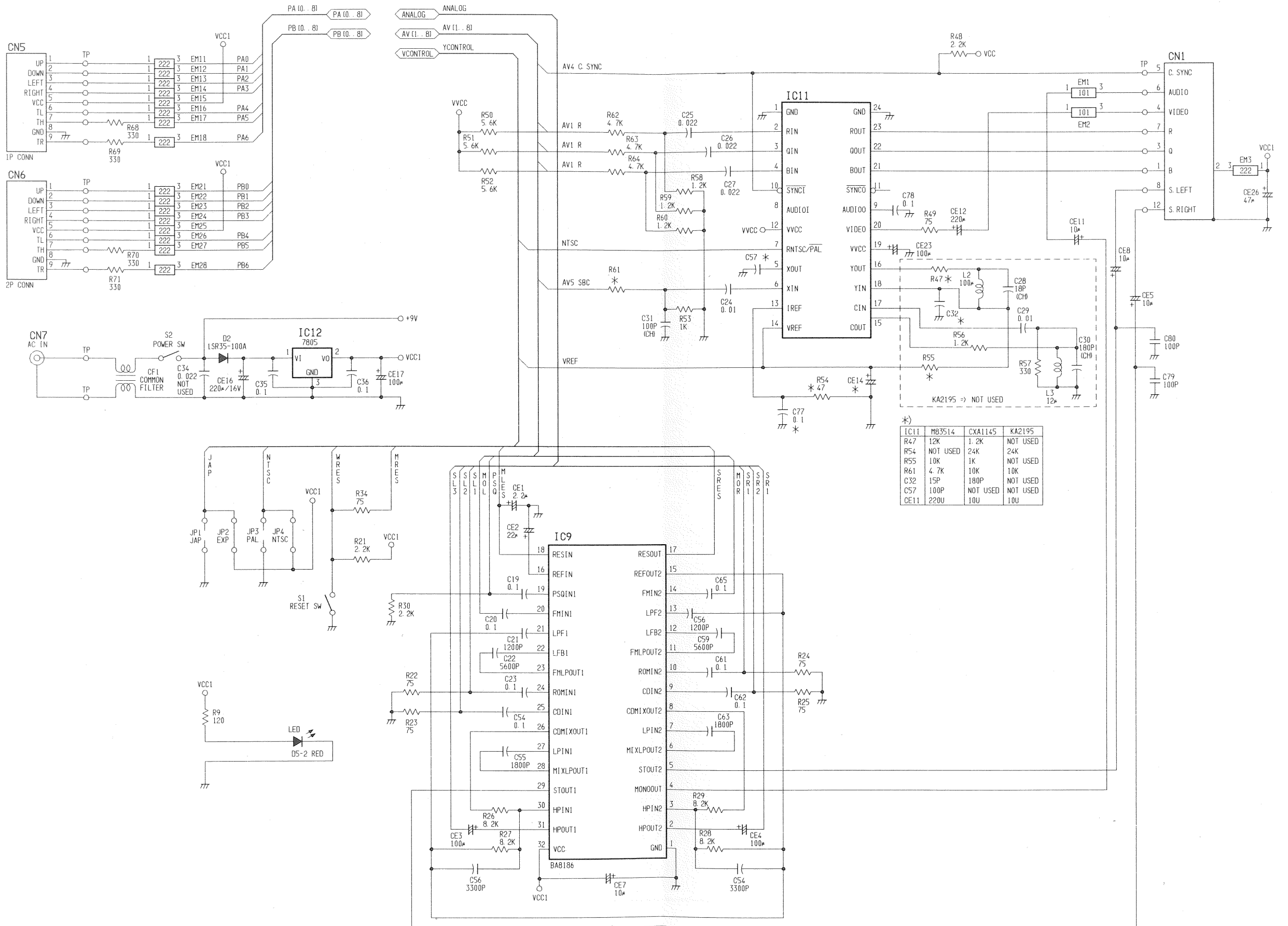


3. SCHEMATIC DIAGRAM

3-1. Schematic Diagram-1

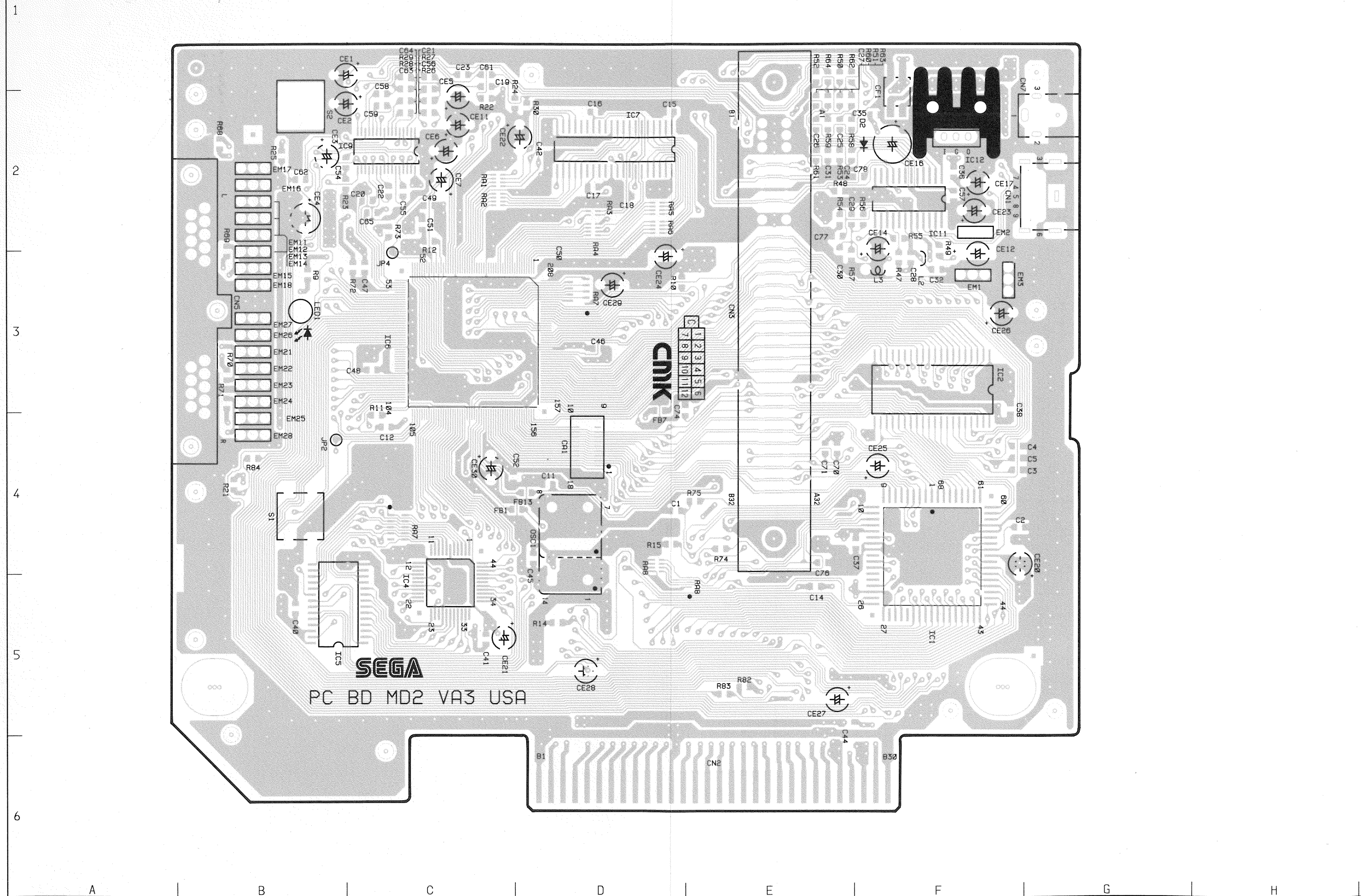


3-2. Schematic Diagram-2

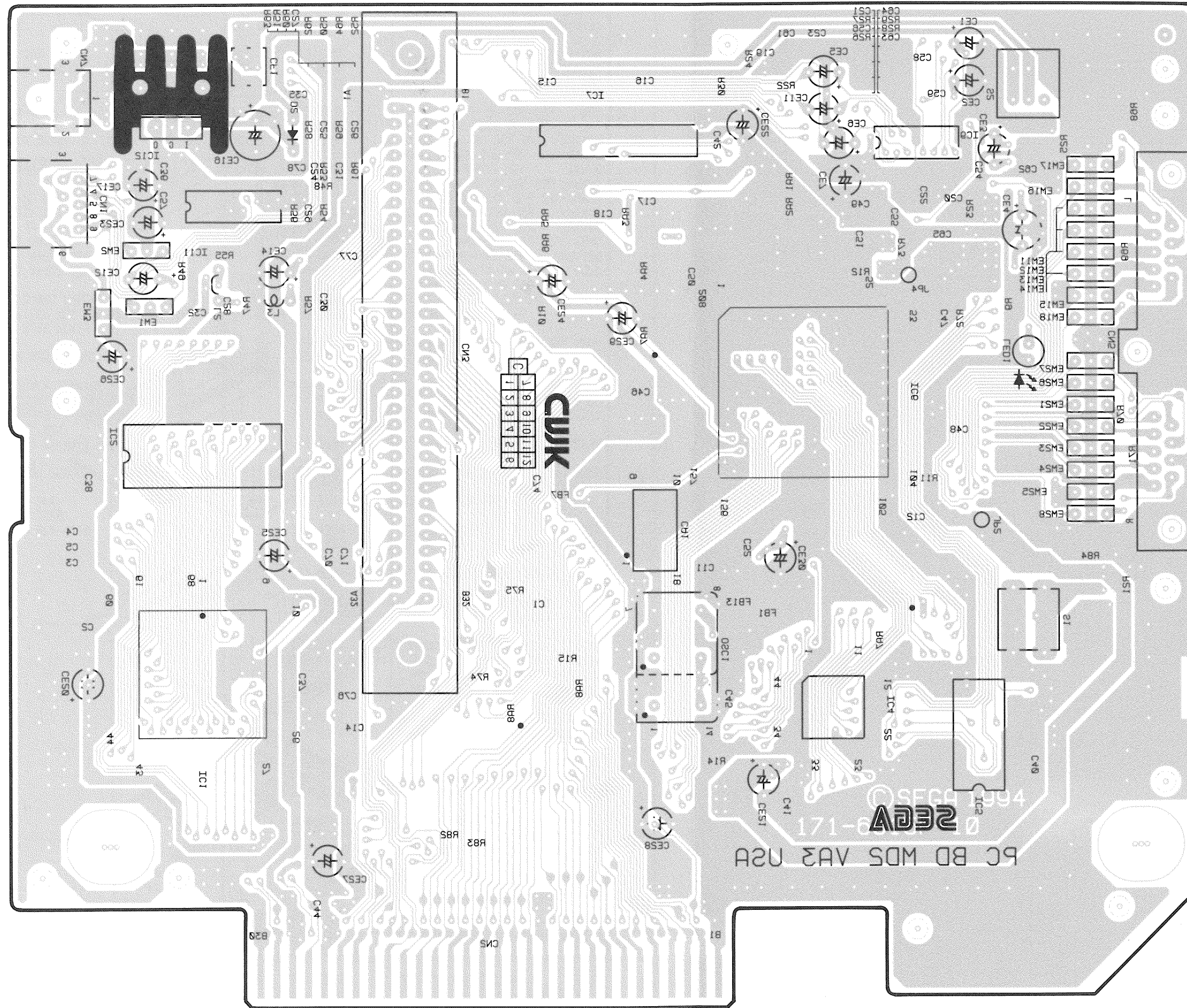


5. CIRCUIT BOARD DIAGRAM

5-1. Main Circuit Board (Top View)



5-2. Main Circuit Board (Bottom View)



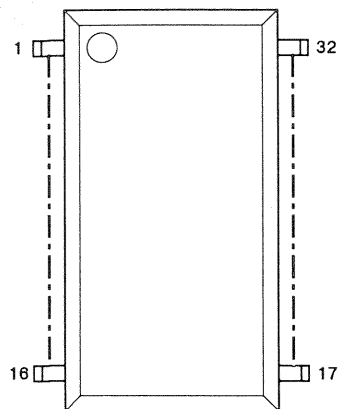
5. PARTS SPECIFICATIONS

IC9 Sound Network/Phones Amplifier

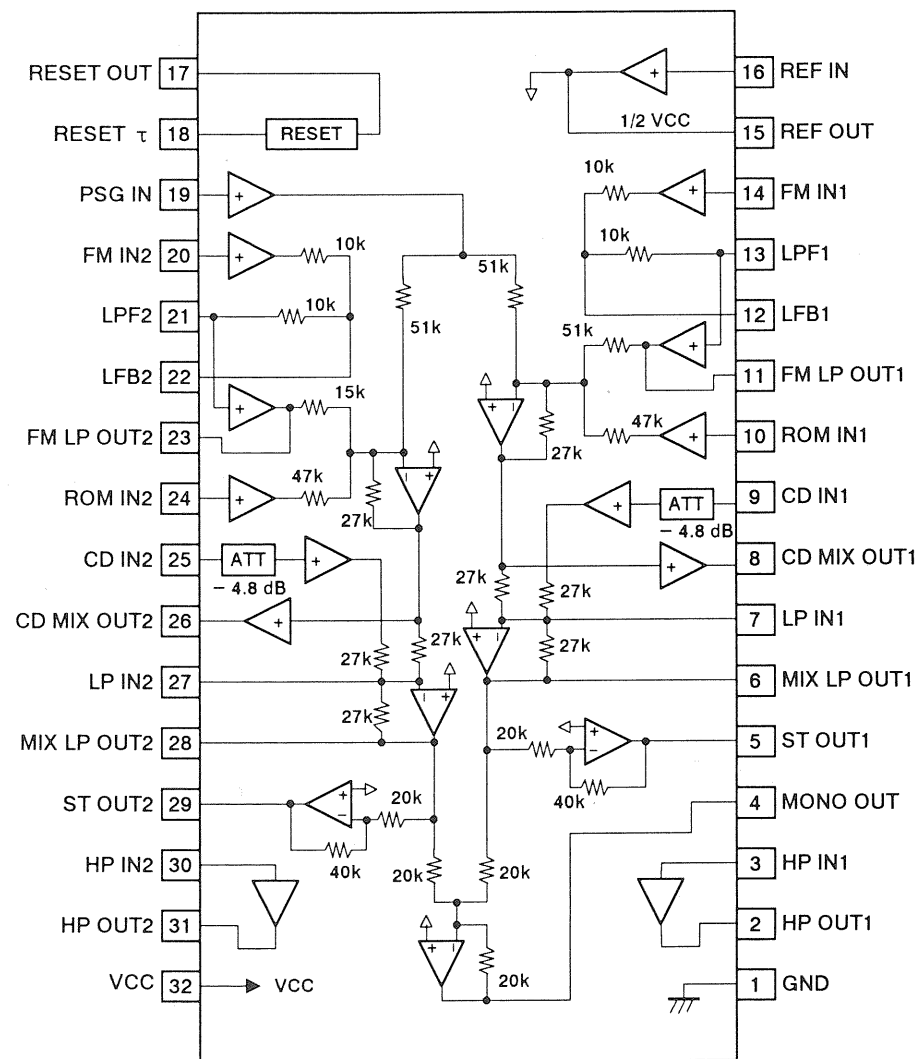
IC CUSTOM BA6166FS

Part No. : 315-5684

Top View

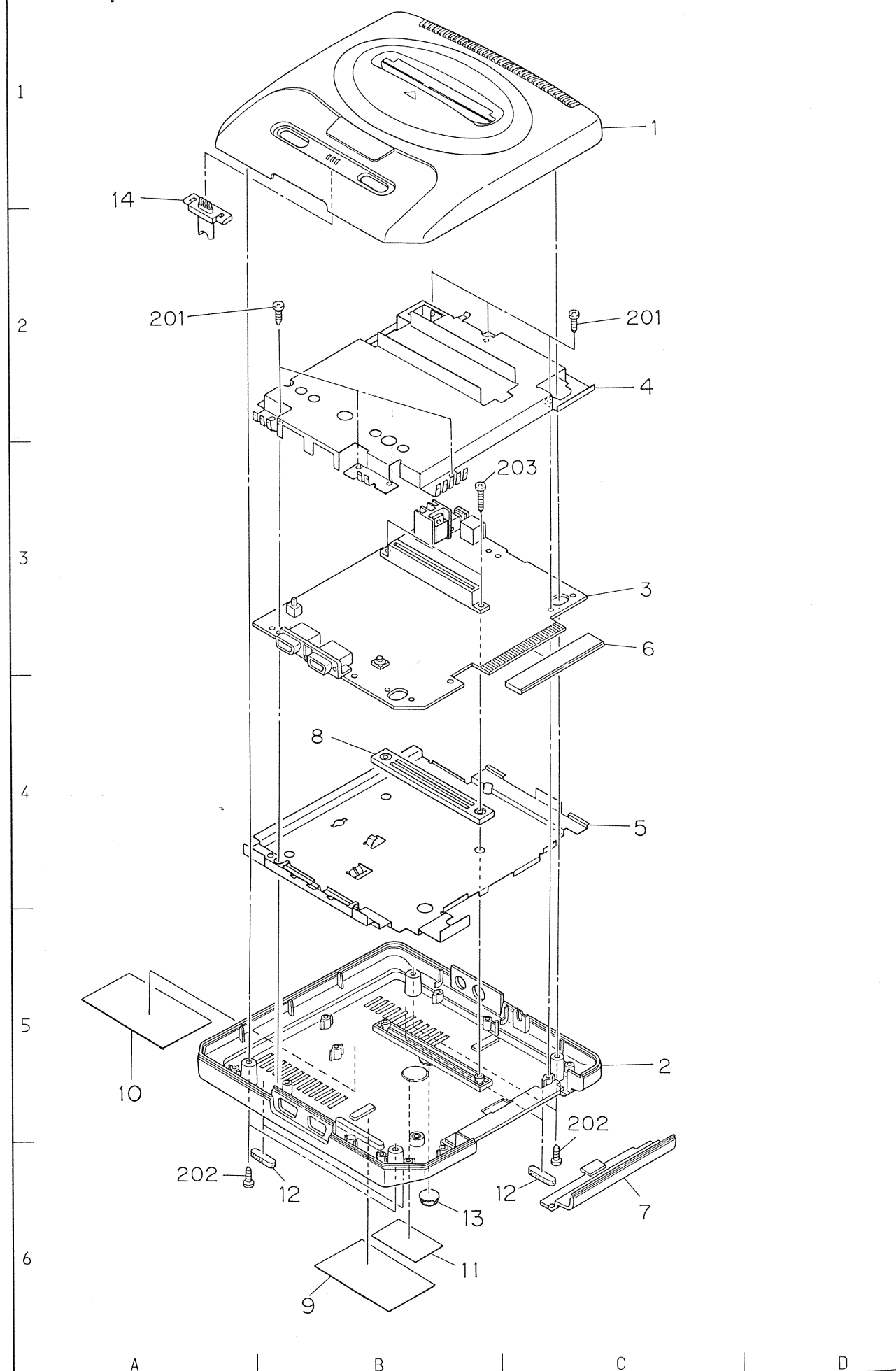


Pin Name & Block Diagram



6. EXPLODED VIEW & PARTS LIST

6-1. Exploded View



6-2. Mechanical Parts List

6-3. Electrical Parts List

Ref. No.	Parts No.	Description	Circuit No.	Parts No.	Description
1	610-5479	ASSY TOP CASE GENESIS2 USA	IC 1	315-0685	IC HD68HC000CP8 PLCC HITACHI
1-1	253-6591	TOP CASE MD2 USA	IC 1	315-0686	IC MC68HC000FN8R2 PLCC MOTORO
1-1	253-6701	TOP CASE MD2 USA VA			
1-2	253-6593	FRONT DOOR MD2 EXPORT	IC 2	315-0810	IC LH5P1632N-15 SOP40P SHARP
1-3	253-6594	BACK DOOR MD2 EXPORT	IC 2	315-0811	IC LC331632M-12 SOP 40P SANYO
1-4	253-6499	COVER MD2	IC 2	315-0812	IC HM651632DFP-15 SOP HITACHI
			IC 2	315-0819	IC TC 511632FL-10 SOP TOSHIBA
1-5	253-6595	POWER SW MD2 EXPORT	IC 4	315-0738	IC Z84C0006 QFP ZILOG
1-5	253-6595-A	POWER SW MD2 EXPORT VER2	IC 4	315-0782	IC TMP84C00AU-6 QFP TOSHIBA
			IC 4	315-5676	IC CUSTOM UPD9033GB QFP NEC
1-6	253-6596	RESET SW MD2 EXPORT			
1-7	125-5044	TORSION SPRING M5	IC 5	315-0546	IC UPD4364G-15L SOP 28P NEC
1-201	012-P00310	TAP SCR PH 3X10	IC 5	315-0635	IC MB8464A-10LL PF-G-BND FUJIT
2 1	253-6592	BOTTOM CASE MD2 EXPORT	IC 5	315-0651	IC MB8464A-80 SOP 28P FUJITSU
2 2	253-6702	BOTTOM CASE MD2 EXPORT VA	IC 5	315-0753-10	IC LC3564PM-10L SOP SANYO
2 3	253-6592A	BOTTOM CASE MD2 EXPORT ALPEX	IC 5	315-0753-12	IC LC3564PM-12L SOP SANYO
2 4	253-6702A	BOTTOM CASE MD2 EXP VA ALPEX	IC 5	315-0754	IC KM6264BLG-10 28P SOP SAMSUN
			IC 5	315-0755	IC KM6264BLG-10L 28P SOP SAMSU
			IC 5	315-0766-10	IC LC3664BML-10H SOP SANYO
			IC 5	315-0766-85	IC LC3664BML-85H SOP SANYO
3 1	837-10150-S	IC BD MD2 VA3S USA	IC 5	315-0773	IC CXK5864CM-70LL-T6 SOP SONY
3 2	837-10150-SM	IC BD MD2 VA3SM USA	IC 5	315-0830-10	IC MB8464H-10LL SOP FUJITSU
3 3	837-10150-S2	IC BD MD2 VA3S2 USA	IC 5	315-0831-15	IC GM76C88ALFW-15 GOLD
			IC 5	315-0926	IC MB8464H-90LPF SOP
4	250-5359	TOP SHIELD MD2 EXPORT VA3	IC 5	315-0926	IC XLJ6265AF-N10SL SOP
5	250-5360	BOTTOM SHIELD MD2 EXPORT VA3	IC 5	315-0939	IC HY6264ALJ-10 SOP
6	253-6298	60P CARD EDGE COVER			
7	253-6504	LID MD2	IC 6	315-5660	IC CUSTOM CHIP FC1004 REV.YAMA
8	253-6599	64P COVER MD2 EXPORT	IC 6	315-5660-02	IC CUSTOM CHIP FC1004 YAMAHA
9	670-0248	SEAL CUSTOMER SERVICE	IC 7	315-0795-80	IC MSM54C864-80JS SOJ40P OKI
10	670-3128A	LABEL FCC SMITH & ALPEX GEN US	IC 7	315-0820	IC KM428C64J-10 SOJ SAMSUNG
11	670-3129	LABEL SER. NO. MK-1630 USA	IC 7	315-0850	IC HM53861J-8 SOJ HITACHI
12	601-6973	RUBBER FOOT MD2			
13	601-6974	RUBBER FOOT SJ-5012 BLACK	IC 9	315-5684	IC CUSTOM CP BA6166FS SOP ROHM
14	253-6598	LED LENS MD2 EXPORT	IC 11	313-5213	IC CXA1145M SOP SONY [A]
			IC 11	313-5236	IC KA2195D SAMSUNG [B]
201	012-P00308	TAP SCR PH 3*8	IC 11	313-5314	IC CXA1645M SOP [C]
202	012-P00310	TAP SCR PH 3X10			
203	012-P00316-0B	TAP SCR PH BLK 3X16	IC 12	313-5214	IC UPC7805HF NEC
			IC 12	313-5230	IC TA7805S TOSHIBA
			D 2	481-5038-01	DIODE 1SR-35-100A RADIAL
			CA 1	151-0401	C-PK CP 33P*16 W/COMMON TDK
			CA 1	151-0401-02	C-PK CP 33P*16 W/COMMON TDK
			CF 1	270-5065	COMMON FILTER CM04RC04 TAIYO
			CF 1	270-5065-01	COMMON FILTER M-521CT TOKIN
			CF 1	270-5065-02	COMMON FILTER ZJYS5102-2PB TDK
			CF 1	270-0590	COMMON FILTER ZJYS5102P2P(T)S
			CN 1	212-5364	MINI DIN CONN 9P TCS7913-43 HO
			CN 1	212-5364-01	MINI DIN CONN 9P/C MD-S9200-90
			CN 3	209-5026	EDGE CONNECTOR 64P MITSUMI
			CN 3	209-5061	EDGE CONNECTOR 64P PSB4D32K-7R
			CN 3	209-5063	EDGE CONNECTOR 64P FUJITSU
			CN 5	209-5066	D-SUB 9P*2 UC0082-21#10-0 YUNI
			CN 5	209-5066-01	D-SUB 9P*2 IMSA-9402B-18A IRIS
			CN 5	209-5066-02	D-SUB 9P*2 CAM-A29 MITSUMI
			CN 7	212-5353	CONN DC JACK EIAJ3 HEC3100 HOS
			CN 7	212-5353-01	CONN DC JACK EIAJ3 UC0086 UNIO
			EM 1	271-0045	EMI FILTER STB101KB TAIYO
			EM 1	271-0045-02	EMI FILTER DSS306-93B101M100 M
			EM 1	271-0045-04	EMI FILTER ED31-B101M TOKIN
			EM 2	271-0045	EMI FILTER STB101KB TAIYO
			EM 2	271-0045-02	EMI FILTER DSS306-93B101M100 M
			EM 2	271-0045-04	EMI FILTER ED31-B101M TOKIN
			EM 3	271-0007	EMI FILTER STX222MB TAIYO
			EM 3	271-0007-02	EMI FILTER DSS306-93E222Z100 M
			EM 3	271-0007-04	EMI FILTER ED31-B222M TOKIN

[NOTE] A...837-10150-S B...837-10150-SM C...837-10150-S2

Circuit No.	Parts No.	Description	Circuit No.	Parts No.	Description
EM 11	271-0007	EMI FILTER STX222MB TAIYO	JP 1	600-5941-40	CA VINYL AWG22 UL1430 L=40MM
EM 11	271-0007-02	EMI FILTER DSS306-93E222Z100 M	JP 2	600-5941-40	CA VINYL AWG22 UL1430 L=40MM
EM 11	271-0007-04	EMI FILTER ED31-B222M TOKIN			
EM 12	271-0007	EMI FILTER STX222MB TAIYO	L 2	180-5060	PEAKING COIL 100UH 03RA TAIYO [A]
EM 12	271-0007-02	EMI FILTER DSS306-93E222Z100 M	L 2	180-5060-02	PEAKING COIL 100UH ELEXL101KA [A]
EM 12	271-0007-04	EMI FILTER ED31-B222M TOKIN	L 2	180-5060-03	PEAKING COIL 100UH LF5.0S101K [A]
			L 2	NOT USED	NOT USED [B, C]
EM 13	271-0007	EMI FILTER STX222MB TAIYO	L 3	180-5059	PEAKING COIL 12UH LAL03 TAIYO [A, C]
EM 13	271-0007-02	EMI FILTER DSS306-93E222Z100 M	L 3	180-5059-02	PEAKING COIL 12UH ELEXL120KA [A, C]
EM 13	271-0007-04	EMI FILTER ED31-B222M TOKIN	L 3	180-5059-03	PEAKING COIL 12UH LF5.0S120K [A, C]
			L 3	NOT USED	NOT USED [B]
EM 14	271-0007	EMI FILTER STX222MB TAIYO	LED 1	390-5234	LED GL3PR8
EM 14	271-0007-02	EMI FILTER DSS306-93E222Z100 M			
EM 14	271-0007-04	EMI FILTER ED31-B222M TOKIN			
EM 15	271-0007	EMI FILTER STX222MB TAIYO	OSC 1	230-5053	OSC 53.693175MHZ 20PPM TQC
EM 15	271-0007-02	EMI FILTER DSS306-93E222Z100 M	OSC 1	230-5053-01D	XTAL OSC 53.693175 MCO-7020D-1
EM 15	271-0007-04	EMI FILTER ED31-B222M TOKIN	OSC 1	230-5053-02B	XTAL OSC 53.693175M 20PPM CXO
			OSC 1	230-5053-04	XTAL OSC 53.693M CK5545AC TEW
			OSC 1	230-5053-05	XTAL OSC 53.693175M 20PPM ADO
EM 16	271-0007	EMI FILTER STX222MB TAIYO	S 1	509-5207	TACT SW SKEVAA ALPS
EM 16	271-0007-02	EMI FILTER DSS306-93E222Z100 M	S 1	510-5019	TACTILE PUSH SW SKEVAA
EM 16	271-0007-04	EMI FILTER ED31-B222M TOKIN			
EM 17	271-0006	EMI FILTER STB271KB TAIYO	S 2	510-5046	PUSH SW JPK0010-Z091 SMK
EM 17	271-0006-02	EMI FILTER DSS306-93B271M100 M	S 2	510-5046-01	PUSH SW HPW1261-010010 HOSIDEN
EM 17	271-0006-04	EMI FILTER ED31-B271M TOKIN			
EM 18	271-0007	EMI FILTER STX222MB TAIYO	SL CN5C	090-0012	SCREW LOCK
EM 18	271-0007-02	EMI FILTER DSS306-93E222Z100 M	SL CN5L	090-0012	SCREW LOCK
EM 18	271-0007-04	EMI FILTER ED31-B222M TOKIN	SL CN5R	090-0012	SCREW LOCK
EM 21	271-0007	EMI FILTER STX222MB TAIYO	TS CN5C	012-P00308	TAP SCR PH 3*8
EM 21	271-0007-02	EMI FILTER DSS306-93E222Z100 M	TS CN5L	012-P00308	TAP SCR PH 3*8
EM 21	271-0007-04	EMI FILTER ED31-B222M TOKIN	TS CN5R	012-P00308	TAP SCR PH 3*8
EM 22	271-0007	EMI FILTER STX222MB TAIYO	RA 1	477-0136	R-PK CP 4*100 OHM 1/16W 5% K
EM 22	271-0007-02	EMI FILTER DSS306-93E222Z100 M	RA 1	477-0136-01	R-PK CP 4*100 OHM NCR164101J
EM 22	271-0007-04	EMI FILTER ED31-B222M TOKIN			
EM 23	271-0007	EMI FILTER STX222MB TAIYO	RA 2	477-0136	R-PK CP 4*100 OHM 1/16W 5% K
EM 23	271-0007-02	EMI FILTER DSS306-93E222Z100 M	RA 2	477-0136-01	R-PK CP 4*100 OHM NCR164101J
EM 23	271-0007-04	EMI FILTER ED31-B222M TOKIN			
EM 24	271-0007	EMI FILTER STX222MB TAIYO	RA 3	477-0139	R-PK CP 2*100 OHM 1/16W 5%
EM 24	271-0007-02	EMI FILTER DSS306-93E222Z100 M	RA 3	477-0139-01	R-PK CP 2*100 OHM MCR162101J
EM 24	271-0007-04	EMI FILTER ED31-B222M TOKIN			
EM 25	271-0007	EMI FILTER STX222MB TAIYO	RA 4	477-0136	R-PK CP 4*100 OHM 1/16W 5% K
EM 25	271-0007-02	EMI FILTER DSS306-93E222Z100 M	RA 4	477-0136-01	R-PK CP 4*100 OHM NCR164101J
EM 25	271-0007-04	EMI FILTER ED31-B222M TOKIN			
EM 26	271-0007	EMI FILTER STX222MB TAIYO	RA 5	477-0136	R-PK CP 4*100 OHM 1/16W 5% K
EM 26	271-0007-02	EMI FILTER DSS306-93E222Z100 M	RA 5	477-0136-01	R-PK CP 4*100 OHM NCR164101J
EM 26	271-0007-04	EMI FILTER ED31-B222M TOKIN			
EM 27	271-0006	EMI FILTER STB271KB TAIYO	RA 6	477-0136	R-PK CP 4*100 OHM 1/16W 5% K
EM 27	271-0006-02	EMI FILTER DSS306-93B271M100 M	RA 6	477-0136-01	R-PK CP 4*100 OHM NCR164101J
EM 27	271-0006-04	EMI FILTER ED31-B271M TOKIN			
EM 28	271-0007	EMI FILTER STX222MB TAIYO	RA 7	477-0132	R-PK CP 8*4.7KOHM W/COMM.
EM 28	271-0007-02	EMI FILTER DSS306-93E222Z100 M	RA 7	477-0166	RES PACK CP 8*4.7KOHM 1/16W 5%
EM 28	271-0007-04	EMI FILTER ED31-B222M TOKIN	RA 7	477-0166-02	R-PK CP 8*4.7KOHM 1/16W 5% W/C [A]
EYLET	CN3079-000003	EYLET 3.5*7	RA 8	477-0148	R-PK CP 4*2.2KOHM W/COMM.
EYLET	CN3079-000005	EYLET 6*3.5*8	RA 8	477-0167	R-PK CP 4*2.2KOHM 1/16W 5%
EYLET	CN5079-000001	EYLET 2.3*7	RA 8	477-0167-02	R-PK CP 4*2.2KOHM 1/16W 5% [A]
FB 1	271-0044	BEADS INDUCTOR CP BK2125 HS121	R 9	476-2121-J-10	RES CHIP 120 OHM 1/10W 5%
FB 1	271-0044-01	BEADS INDUCTOR CP BLM21A05 MUR	R 10	476-2222-J-10	RES CHIP 2.2KOHM 1/10W 5%
FB 1	271-0044-02	BEADS INDUCTOR CP 120 OHM TDK	R 11	476-2472-J-10	RES CHIP 4.7KOHM 1/10W 5%
FB 7	271-0043	BEADS INDUCTOR CP BK2125 HS601	R 12	476-2222-J-10	RES CHIP 2.2KOHM 1/10W 5%
FB 7	271-0043-01	BEADS INDUCTOR CP BLM21A10 MUR	R 14	476-2122-J-10	RES CHIP 1.2KOHM 1/10W 5%
FB 7	271-0043-02	BEADS INDUCTOR CP 600 OHM TDK	R 15	476-2222-J-10	RES CHIP 2.2KOHM 1/10W 5%
FB 13	271-0043	BEADS INDUCTOR CP BK2125 HS601	R 21	476-2222-J-10	RES CHIP 2.2KOHM 1/10W 5%
FB 13	271-0043-01	BEADS INDUCTOR CP BLM21A10 MUR	R 22	476-2750-J-10	RES CHIP 75 OHM 1/10W 5%
FB 13	271-0043-02	BEADS INDUCTOR CP 600 OHM TDK	R 23	476-2750-J-10	RES CHIP 75 OHM 1/10W 5%
			R 24	476-2750-J-10	RES CHIP 75 OHM 1/10W 5%
			R 25	476-2750-J-10	RES CHIP 75 OHM 1/10W 5%
			R 26	476-2822-J-10	RES CHIP 8.2KOHM 1/10W 5%
			R 27	476-2822-J-10	RES CHIP 8.2KOHM 1/10W 5%
			R 28	476-2822-J-10	RES CHIP 8.2KOHM 1/10W 5%
			R 29	476-2822-J-10	RES CHIP 8.2KOHM 1/10W 5%
			R 30	476-2222-J-10	RES CHIP 2.2KOHM 1/10W 5%

【NOTE】 A···837-10150-S B···837-10150-SM C···837-10150-S2

	Circuit No.	Parts No.	Description		Circuit No.	Parts No.	Description	
	R 47	476-2122-J-10	RES CHIP 1.2KOHM 1/10W 5%	[A]	C 31	151-0354	CAP CER CP 100PF 50V CH2125	
	R 47	NOT USED	NOT USED	[B, C]				
YO	R 48	476-2222-J-10	RES CHIP 2.2KOHM 1/10W 5%		C 32	151-0309	CAP CER CP 180PF 50V CH2125	[A]
A	R 49	476-2750-J-10	RES CHIP 75 OHM 1/10W 5%		C 32	NOT USED	NOT USED	[B]
K	R 50	476-2562-J-10	RES CHIP 5.6KOHM 1/10W 5%		C 32	476-2203-J-10	RES CHIP 20KOHM 1/10W 5%	[C]
	R 51	476-2562-J-10	RES CHIP 5.6KOHM 1/10W 5%					
	R 52	476-2562-J-10	RES CHIP 5.6KOHM 1/10W 5%		C 33	NOT USED	NOT USED	[A, C]
YO					C 34	NOT USED	NOT USED	[A, C]
A	R 53	476-2102-J-10	RES CHIP 1KOHM 1/10W 5%		C 35	151-0265	CAP CER CP 0.1UF 25V ZF2125	
K	R 54	476-2243-J-10	RES CHIP 24KOHM 1/10W 5%		C 36	151-0265	CAP CER CP 0.1UF 25V ZF2125	
					C 37	151-0307	CAP CER CP 0.022UF 50V ZF2125	
	R 55	476-2102-J-10	RES CHIP 1KOHM 1/10W 5%	[A]	C 38	151-0307	CAP CER CP 0.022UF 50V ZF2125	
	R 55	NOT USED	NOT USED	[B, C]	C 40	151-0307	CAP CER CP 0.022UF 50V ZF2125	
					C 41	151-0307	CAP CER CP 0.022UF 50V ZF2125	
OC	R 56	476-2122-J-10	RES CHIP 1.2KOHM 1/10W 5%	[A]	C 42	151-0307	CAP CER CP 0.022UF 50V ZF2125	
I-1	R 56	NOT USED	NOT USED	[B, C]	C 44	151-0307	CAP CER CP 0.022UF 50V ZF2125	
XO								
EW	R 57	476-2331-J-10	RES CHIP 330 OHM 1/10W 5%	[A]	C 45	151-0307	CAP CER CP 0.022UF 50V ZF2125	
DO	R 57	NOT USED	NOT USED	[B, C]	C 46	151-0307	CAP CER CP 0.022UF 50V ZF2125	
					C 47	151-0307	CAP CER CP 0.022UF 50V ZF2125	
PS	R 58	476-2122-J-10	RES CHIP 1.2KOHM 1/10W 5%		C 48	151-0307	CAP CER CP 0.022UF 50V ZF2125	
	R 59	476-2122-J-10	RES CHIP 1.2KOHM 1/10W 5%		C 49	151-0307	CAP CER CP 0.022UF 50V ZF2125	
	R 60	476-2122-J-10	RES CHIP 1.2KOHM 1/10W 5%					
MK					C 50	151-0307	CAP CER CP 0.022UF 50V ZF2125	
EN	R 61	476-2103-J-10	RES CHIP 10KOHM 1/10W 5%		C 51	151-0307	CAP CER CP 0.022UF 50V ZF2125	
					C 52	151-0307	CAP CER CP 0.022UF 50V ZF2125	
	R 62	476-2472-J-10	RES CHIP 4.7KOHM 1/10W 5%		C 54	151-0265	CAP CER CP 0.1UF 25V ZF2125	
	R 63	476-2472-J-10	RES CHIP 4.7KOHM 1/10W 5%		C 55	151-0353	CAP CER CP 1800PF 50V KB2125	
	R 64	476-2472-J-10	RES CHIP 4.7KOHM 1/10W 5%					
	R 68	476-2331-J-10	RES CHIP 330 OHM 1/10W 5%		C 56	151-0499	CAP CER CP 3300PF 50V KB2125	
	R 69	476-2331-J-10	RES CHIP 330 OHM 1/10W 5%		C 57	NOT USED	NOT USED	[A, B, C]
					C 58	151-0498	CAP CER CP 1200PF 50V KB2125	
	R 70	476-2331-J-10	RES CHIP 330 OHM 1/10W 5%		C 59	151-0311	CAP CER CP 5600PF 50V KB2125	
	R 71	476-2331-J-10	RES CHIP 330 OHM 1/10W 5%		C 61	151-0265	CAP CER CP 0.1UF 25V ZF2125	
	R 72	476-2511-J-10	RES CHIP 510 OHM 1/10W 5%					
	R 73	476-2511-J-10	RES CHIP 510 OHM 1/10W 5%		C 62	151-0265	CAP CER CP 0.1UF 25V ZF2125	
	R 74	476-2151-J-10	RES CHIP 150 OHM 1/10W 5%		C 63	151-0353	CAP CER CP 1800PF 50V KB2125	
					C 64	151-0499	CAP CER CP 3300PF 50V KB2125	
	R 75	476-2221-J-10	RES CHIP 220 OHM 1/10W 5%		C 65	151-0265	CAP CER CP 0.1UF 25V ZF2125	
	R 82	479-5005-0000	RES CHIP 0 OHM 1/10W 2125		C 70	151-0372	CAP CER CP 33PF 50V CH2125	
	R 83	479-5005-0000	RES CHIP 0 OHM 1/10W 2125					
	R 84	476-2750-J-10	RES CHIP 75 OHM 1/10W 5%	[A, B]	C 71	151-0372	CAP CER CP 33PF 50V CH2125	
	R 84	NOT USED	NOT USED	[C]	C 74	NOT USED	NOT USED	
					C 76	NOT USED	NOT USED	
	C 1	NOT USED	NOT USED		C 77	NOT USED	NOT USED	
	C 2	15T-0372	CAP CER CP 33PF 50V CH2125		C 77	151-0265	CAP CER CP 0.1UF 25V ZF2125	[C]
	C 3	151-0354	CAP CER CP 100PF 50V CH2125					
	C 4	NOT USED	NOT USED		C 78	NOT USED	NOT USED	
	C 5	151-0354	CAP CER CP 100PF 50V CH2125		C 78	151-0265	CAP CER CP 0.1UF 25V ZF2125	[C]
	C 11	151-0372	CAP CER CP 33PF 50V CH2125		C 79	151-0354	CAP CER CP 100PF 50V CH2125	
	C 12	151-0305	CAP CER CP 1000PF 50V KB2125		C 80	151-0354	CAP CER CP 100PF 50V CH2125	
	C 14	151-0305	CAP CER CP 1000PF 50V KB2125					
	C 15	NOT USED	NOT USED		CE 1	150-0039	CAP E 2.2UF 50V U-TYPE	
	C 16	151-0354	CAP CER CP 100PF 50V CH2125		CE 2	150-0437	CAP E 22UF 50V	
					CE 3	150-0047	CAP E 100UF 10V U-TYPE	
	C 17	151-0372	CAP CER CP 33PF 50V CH2125		CE 4	150-0047	CAP E 100UF 10V U-TYPE	
	C 18	151-0354	CAP CER CP 100PF 50V CH2125		CE 5	150-0023	CAP E 10UF 16V U-TYPE 20%	
	C 19	151-0265	CAP CER CP 0.1UF 25V ZF2125					
	C 20	151-0265	CAP CER CP 0.1UF 25V ZF2125		CE 6	150-0023	CAP E 10UF 16V U-TYPE 20%	
	C 21	151-0498	CAP CER CP 1200PF 50V KB2125		CE 7	150-0023	CAP E 10UF 16V U-TYPE 20%	
	C 22	151-0311	CAP CER CP 5600PF 50V KB2125		CE 11	150-0023	CAP E 10UF 16V U-TYPE 20%	
	C 23	151-0265	CAP CER CP 0.1UF 25V ZF2125		CE 12	150-0412	CAP E 220UF 6.3V U-TYPE	
	C 24	151-0312	CAP CER CP 0.01UF 50V KB2125					
	C 25	151-0307	CAP CER CP 0.022UF 50V ZF2125		CE 14	150-0023	CAP E 10UF 16V U-TYPE 20%	[A, B]
	C 26	151-0307	CAP CER CP 0.022UF 50V ZF2125		CE 14	NOT USED	NOT USED	[C]
	C 27	151-0307	CAP CER CP 0.022UF 50V ZF2125		CE 16	150-0159	CAP E 220UF 16V U-TYPE	
					CE 17	150-0047	CAP E 100UF 10V U-TYPE	
	C 28	151-0308	CAP CER CP 18PF 50V CH2125	[A]	CE 20	150-0023	CAP E 10UF 16V U-TYPE 20%	
	C 28	NOT USED	NOT USED	[B, C]	CE 21	150-0023	CAP E 10UF 16V U-TYPE 20%	
					CE 22	150-0023	CAP E 10UF 16V U-TYPE 20%	
	C 29	151-0312	CAP CER CP 0.01UF 50V KB2125	[A]				
	C 29	NOT USED	NOT USED	[B]	CE 23	150-0047	CAP E 100UF 10V U-TYPE	
	C 29	151-0363	CAP CER CP 47PF 50V CH2125	[C]	CE 24	150-0062	CAP E 47UF 10V U-TYPE	
	C 30	151-0309	CAP CER CP 180PF 50V CH2125	[A]	CE 25	150-0062	CAP E 47UF 10V U-TYPE	
	C 30	NOT USED	NOT USED	[B, C]	CE 26	150-0062	CAP E 47UF 10V U-TYPE	

[NOTE] A...837-10150-S B...837-10150-SM C...837-10150-S2

6-4. Accessories/Package List

Circuit No.	Parts No.	Description	No.	Parts No.	Description
CE 27	150-0062	CAP E 47UF 10V U-TYPE	1	610-5517-01	ASSY CP M5 USA
CE 28	150-0062	CAP E 47UF 10V U-TYPE			
CE 29	150-0023	CAP E 10UF 16V U-TYPE 20%	2	400-5135A	AC ADAPTOR AC120V/DC10V 0.85A
CE 30	150-0023	CAP E 10UF 16V U-TYPE 20%	2	400-5135A-01	AC ADAPTOR AC120V/DC10V 0.85A
			2	400-5135A-02	AC ADAPTOR AC120V/DC10V 0.85A
			2	400-5135A-03	AC ADAPTOR AC120V/DC10V 0.85A
			3	610-5472	RF UNIT GEN2 MDU-VA3431 MITSUM
			3	610-5472-01	RF UNIT GEN2 MDT2A801A ALPS
			3	610-5472-02	RF UNIT GEN2 TOWA NTSC
			4	670-5062	OPER CELL MANUAL GEN2 USA
			4	670-5062-01	OPER CELL MANUAL GEN2 USA 01
			5	671-5020-02	B&P SET GEN2 USA 1630 PM S
			5	671-5021-02	B&P SET GEN2 USA 1630 DF S
			5	671-5020-01	B&P SET GEN2 USA 1614 PM S
			5	671-5021-01	B&P SET GEN2 USA 1614 DP S
			6	671-5005-02	MA CTN GEN2 USA 1630 S
			6	671-5005-01	MA CTN GEN2 USA 1614 S
			7	SGM-4216	POLY BAG 260*320*0.05 EXP 6
			8	SGM-4217	POLY BAG 200*300*0.05 EXP 6
			9	670-3264-02	BUSINESS REPLY MAIL GEN2 US 02
			9	670-3264-01	BUSINESS REPLY MAIL GEN2 US 01
			10	670-4845-01	CROSS SELL POSTER USA
			11	670-3284	PARTS ORDER FORM GEN2 USA
			12	670-4205	PERIPHERAL CATALOG GEN2 USA
			13	TAPE	SECURITY TAPE

【NOTE】 A·····837-10150-S B·····837-10150-SM C·····837-10150-S2

SEGA™